

EXACT12, 8XM12, 4 POLE, MOULDED CABLE

30.0m PUR/PVC 8x0.34+3x0.75, UL/CSA

8-way, 4-pole

Further cable lengths on request.

Plastic housings with good resistance against chemicals and oils.

The resistance to aggressive media should be individually tested for your application. Further details on request.

PUR/PVC

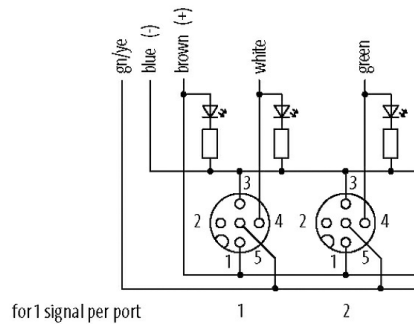
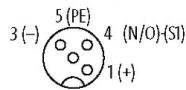
30.0 m

[Link to Product](#)

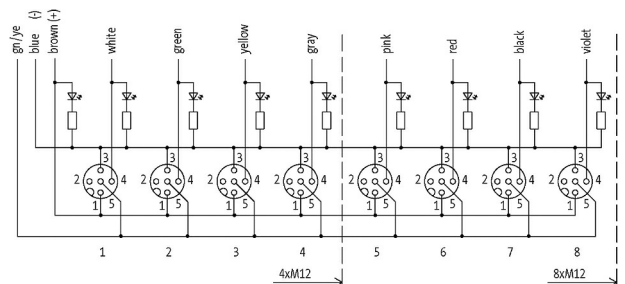
Illustration



M12-Females 4-pole

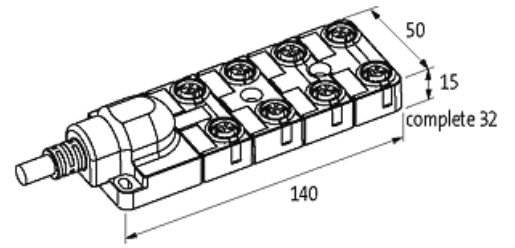


for 1 signal per port



Product may differ from Image

Sketch



Product may differ from Image